

65W Industrial Power Supply

Q65C1-Wall Mount Type
9-54V 5A MAX. 65W



SAFETY APPROVALS

TUVGS, CE, CB, FCC, UKCA

FEATURES

100-240VAC Universal Input
Meet CEC, Energy Star 3.0 (EPA/DOE—Level VI)
UK/EU/US/AU interchangeable AC plugs
3 Years Warranty

Model	O/P Voltage	O/P Current	Watt	Model	O/P Voltage	O/P Current	Watt
Q65C1-120005000	12.0V	5A	60W	Q65C1-195003330	19.5V	3.33A	65W
Q65C1-150004000	15.0V	4A	60W	Q65C1-200003250	20.0V	3.25A	65W
Q65C1-160004000	16.0V	4A	64W	Q65C1-240002700	24.0V	2.7A	65W
Q65C1-180003000	18.0V	3A	54W	Q65C1-480001350	48.0V	1.35A	65W
Q65C1-190003420	19.0V	3.42A	65W				

INPUT CHARACTERISTICS

Rated Input Voltage 100-240V AC
 Rated Frequency 50/60Hz
 Steady AC Current 1.5A(Max) Measured at 100Vac input
 Inrush Current Less than 50A
 Empty Loaded Wasting 150mW

SAFETY STANDARDS

LVD UL62368-1/UL60950-1
 IEC62368-1/IEC60950-1 EN62368-1
 EMC & EMI EN55032 EN55024 EN61000-3-2
 EN61000-3-3

RELIABILITY ITEMS

Hi-Pot Test AC 3000V1min between
 input plug-DC plug
 Leakage Current 0.25mA max at nominal AC input voltage
 and frequency
 Temperature Rise Case surface rise 95°C or less

OUTPUT CHARACTERISTICS

Power 65.5W MAX
 Load Regulation ±5%
 Turn on delay time 3s Max at AC 115V, Max output load
 Hold up time 5ms Min at AC 115V, Max output load
 Rise up time 40ms Max at AC 115V, Max output load
 Efficiency Meet CEC, Energy Star 3.0
 (EPA/DOE—Level VI)

PROTECTION

Over Voltage Protection Auto Recovery
 Short Circuit Protection Auto Recovery
 Over Current Protection Auto Recovery
 Protection Class Class II

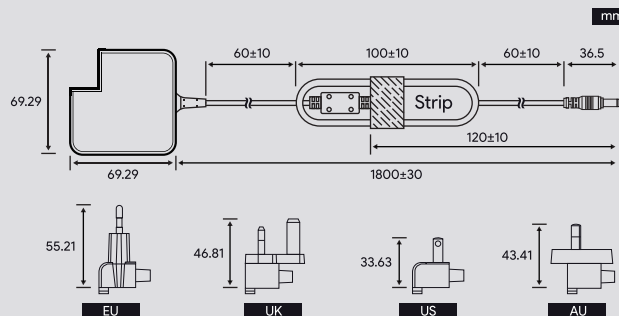
ENVIRONMENTAL

Operation Temperature -10 °C – 40 °C
 Storage Temperature -25 °C – 70 °C
 Operation Humidity 5%(0°C) ~ 90%(40°C)
 Storage Humidity 5%~ 95%

MECHANICALS

Cable
UL1185
18AWG,
1750mm

Case Material
UL94-V1



Case Dimension

Weight

L69.29*W69.29*
H30.1mm

EU(V)	242g (Ref.)
UK(B)	247g (Ref.)
US(U)	242g (Ref.)
AU(S)	242g (Ref.)